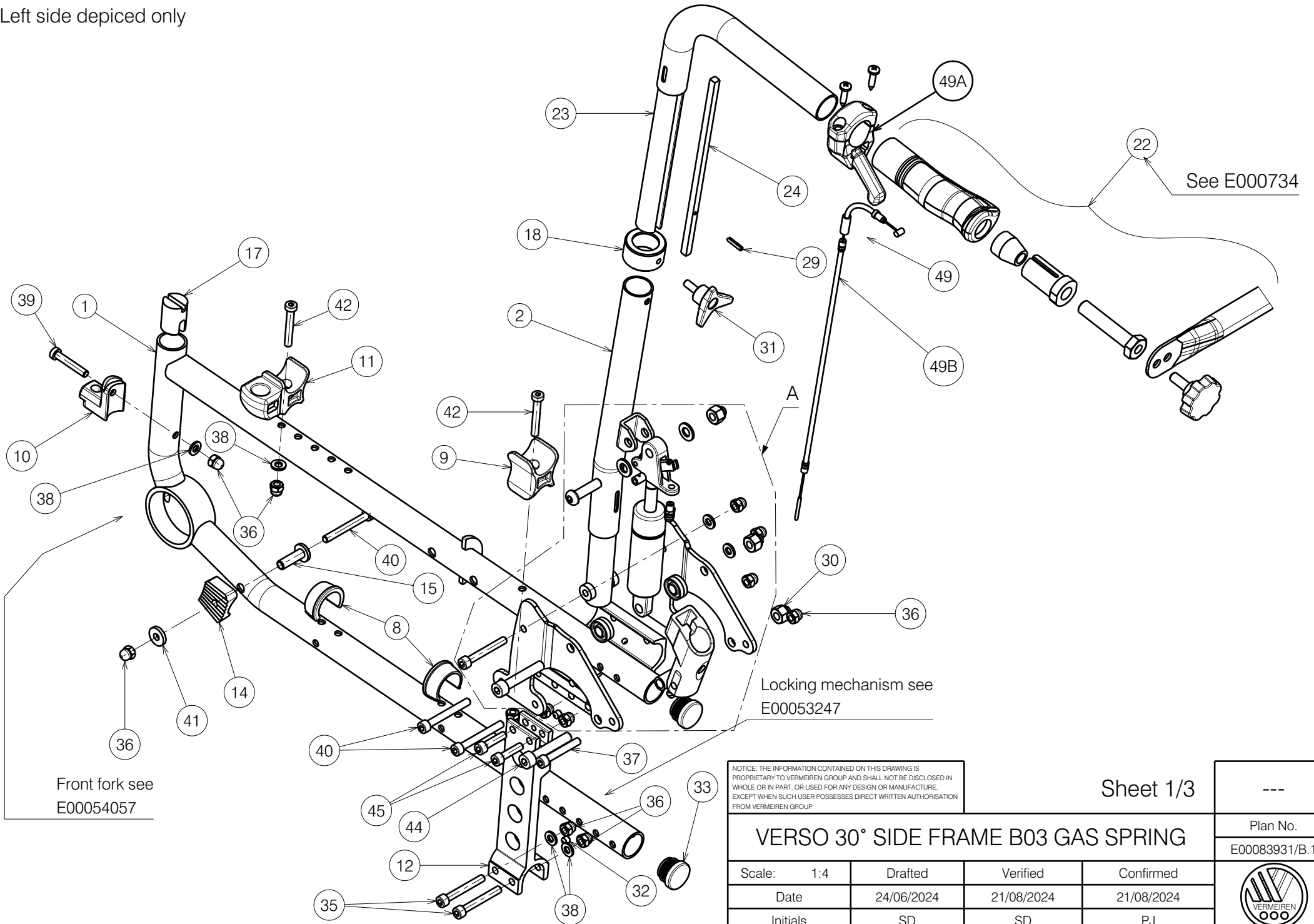


Left side depicted only



NOTICE: THE INFORMATION CONTAINED ON THIS DRAWING IS PROPRIETARY TO VERMEIREN GROUP AND SHALL NOT BE DISCLOSED IN WHOLE OR IN PART, OR USED FOR ANY DESIGN OR MANUFACTURE, EXCEPT WHEN SUCH USER POSSESSES DIRECT WRITTEN AUTHORISATION FROM VERMEIREN GROUP.

Sheet 1/3

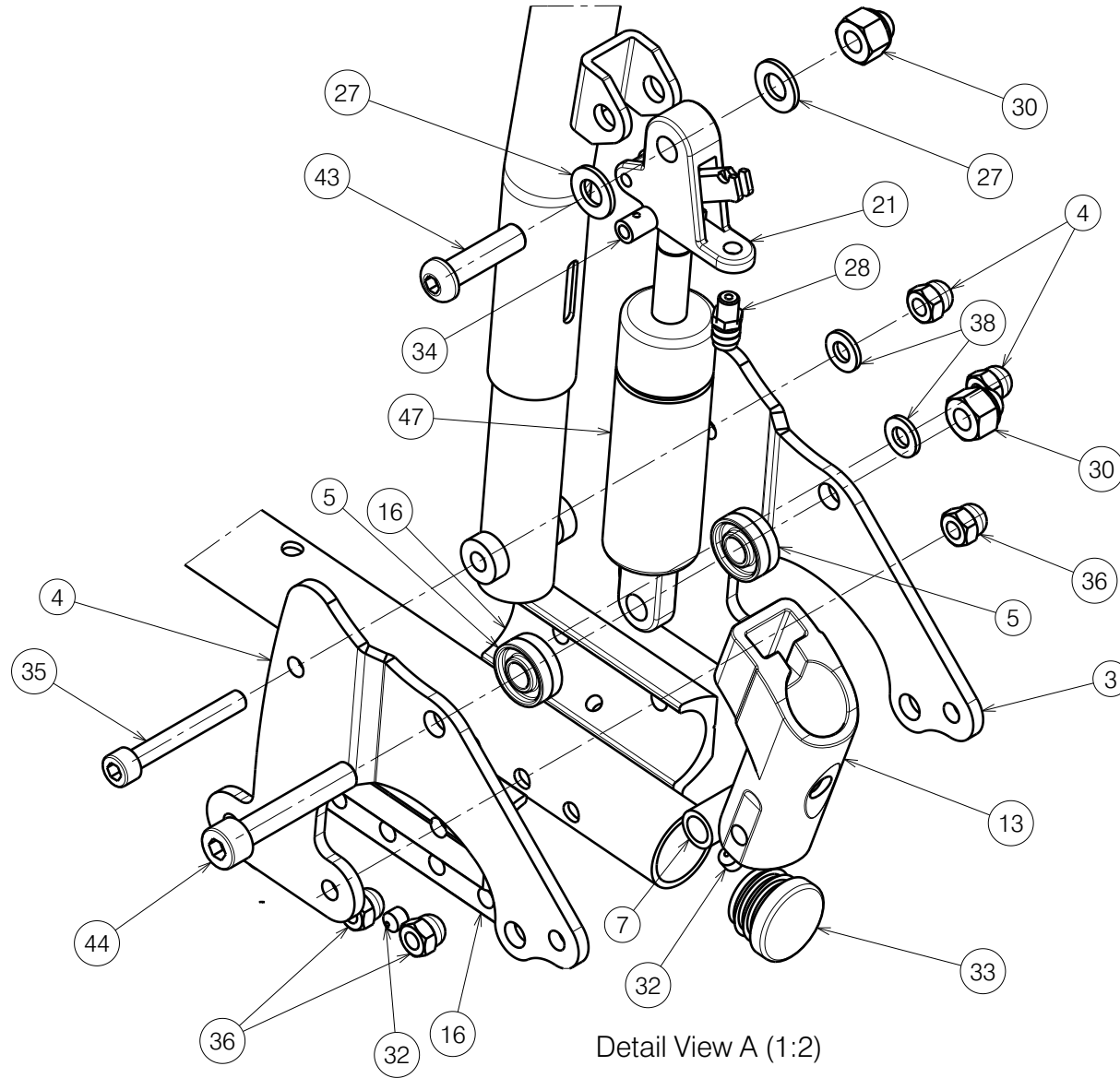
VERSO 30° SIDE FRAME B03 GAS SPRING

Plan No.

E00083931/B.1

Scale:	1:4	Drafted	Verified	Confirmed
Date	24/06/2024	21/08/2024	21/08/2024	
Initials	SD	SD	PJ	





Detail View A (1:2)

NOTICE: THE INFORMATION CONTAINED ON THIS DRAWING IS PROPRIETARY TO VERMEIREN GROUP AND SHALL NOT BE DISCLOSED IN WHOLE OR IN PART, OR USED FOR ANY DESIGN OR MANUFACTURE, EXCEPT WHEN SUCH USER POSSESSES DIRECT WRITTEN AUTHORISATION FROM VERMEIREN GROUP.

Sheet 2/3

VERSO 30° SIDE FRAME B03 GAS SPRING

Plan No.

E00083931/B.1

Scale: 1:2	Drafted	Verified	Confirmed
Date	24/06/2024	21/08/2024	21/08/2024
Initials	SD	SD	PJ



Material			
No.	Plan	Article	Qty
1	P00023284	26384.. (L)	1
	P00023286	26385.. (R)	1
2	P00029535	2647954	2
3	P00030508	2648054	2
4	P00031176	2648154	2
5	X002480	1993793	4
7	X003204	1585100	2
8	X004308	1904129	4
9	X004309	1904133	2
10	X004415	17193	2
11	X004420	1904134	2
12	X004471	1713399	2
13	X004487	1904581	2
14	X004597	1905121	2
15	X004689	1734600	2
16	X004697	1745199	4
17	X004818	1906184	2
18	X004876	1747754	2
21	XC00812	3992513	2
22	E000734	B90 UNIV.	1
23	Y017346	1748004	2
24	Y017412	1747800	2
27	M8 DIN125	1003199	4
28	M6x10	1003282	2

Material			
No.	Plan	Article	Qty
29	D3X16 DIN1481	1003791	2
30	M8 DIN986	1902024	6
31	M6x16	1906622	2
32	M6x6 DIN914	1909924	6
33	D25	1991857	4
34	D7x10	1996853	2
35	M6x45 DIN912	2994058	6
36	M6 DIN986	2994059	24
37	M6x40 DIN912	2994317	2
38	M6 DIN125	2994414	16
39	M6x35 DIN7984	2994654	2
40	M6x50 DIN912	2995258	6
41	M6 DIN79349	2995261	2
42	M6x40 DIN7984	2995263	4
43	M8x30 ISO7380	2995396	2
44	M8x45 DIN912	2995397	4
45	M6x25 DIN912	2996887	4
46	D4.8X22 DIN 7981	3991881	4
47	400 N	3992509	2
49	---	3994495	2
49A	---	1998292	2
49B	---	3992512	2

Quantities are for one wheelchair
Left side depicted only

NOTICE: THE INFORMATION CONTAINED ON THIS DRAWING IS PROPRIETARY TO VERMEIREN GROUP AND SHALL NOT BE DISCLOSED IN WHOLE OR IN PART, OR USED FOR ANY DESIGN OR MANUFACTURE, EXCEPT WHEN SUCH USER POSSESSES DIRECT WRITTEN AUTHORISATION FROM VERMEIREN GROUP.

Sheet 3/3

VERSO 30° SIDE FRAME B03 GAS SPRING

Plan No.

E00083931/B.1

Scale:	1:4	Drafted	Verified	Confirmed
Date	24/06/2024	21/08/2024	21/08/2024	
Initials	SD	SD	PJ	

