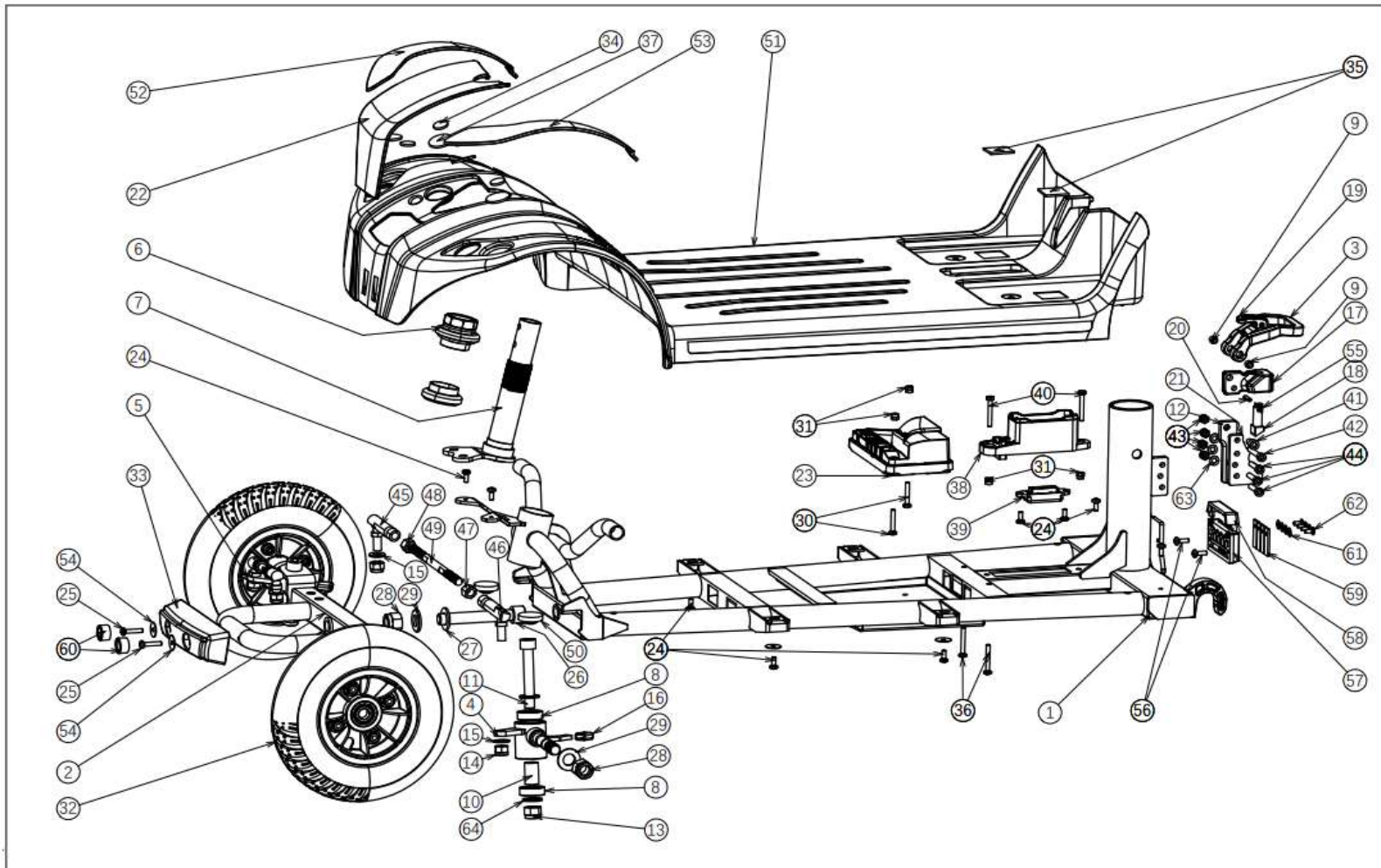


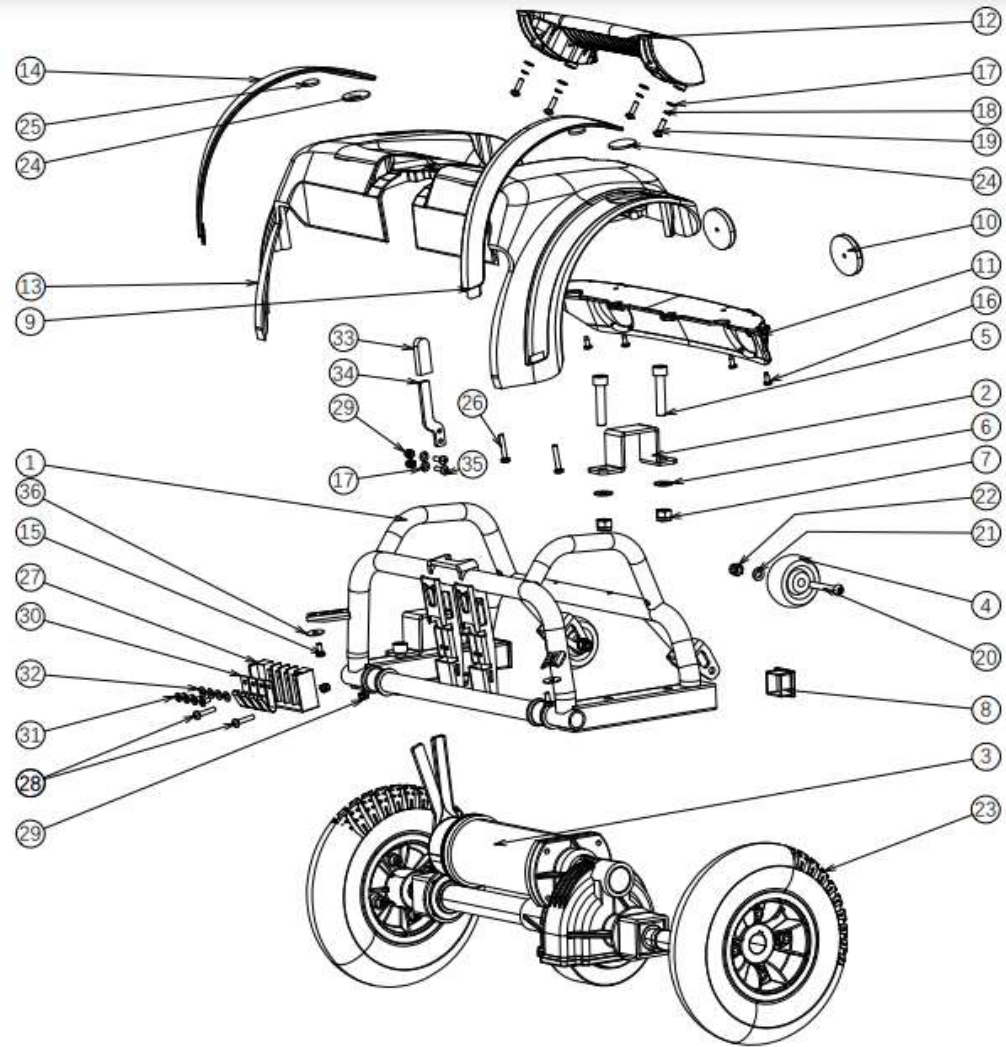
26.01.2024



| no | part nu | part | QT | no | part nu | part | QT |
|----|---------|--------------|----|----|---------|--------------------------|----|
| 1 | 1920656 | MAIN FRAME | | 1 | 36 | | |
| 2 | 1918862 | FRONT FORK | | 1 | 37 | | |
| 3 | | | | 38 | 1920657 | BATTERY CONNECTOR HOLDER | 1 |
| 4 | 1920340 | FRONT AXLE L | | 39 | 1920658 | BATTERY CONNECTOR | 1 |

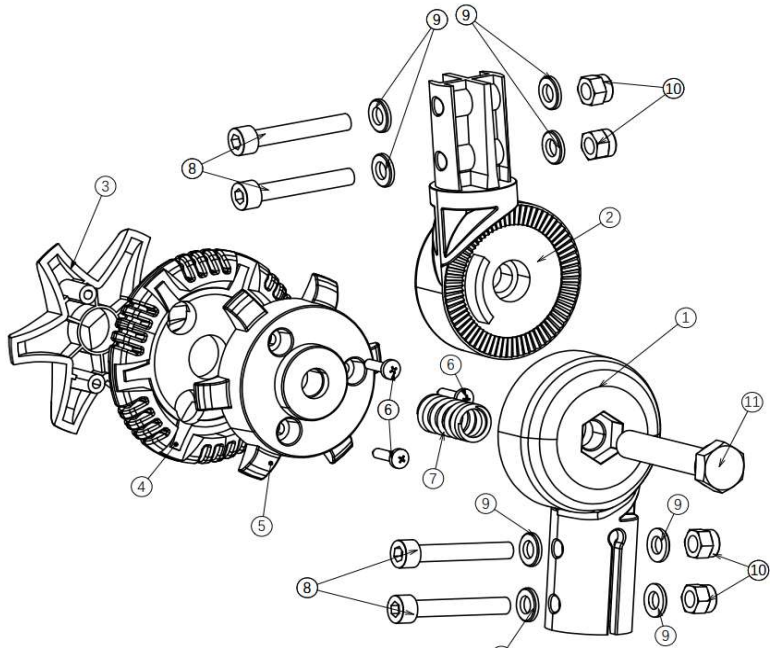
| | | | | | | | |
|----|---------|---------------------|----|----|---------|------------------------------|---|
| 5 | 1920341 | FRONT AXLE R | | 40 | | | |
| 6 | | | | 41 | | | |
| 7 | | | | 42 | | | |
| 7 | | | | 43 | | | |
| 7 | | | | 44 | | | |
| 7 | | | | 46 | 1918857 | BALL JOINT LE | |
| 8 | | | | 45 | 1918858 | BALL JOINT RIGHT | |
| 8 | | | | 47 | | | |
| 8 | | | | 48 | | | |
| 8 | | | | 49 | 1918859 | CONNECTION ROD | |
| 9 | | | 1 | 50 | | | |
| 10 | | | | 51 | 1918851 | FOOT PLATE | 1 |
| 11 | | | | 52 | 1920443 | SET COLOR PANEL FRONT green | |
| | | | | 52 | 1920444 | SET COLOR PANEL FRONT orange | |
| | | | | 52 | 1920445 | SET COLOR PANEL FRONT Blue | |
| | | | | 52 | 1920446 | SET COLOR PANEL FRONT pink | |
| | | | 1 | 53 | | | |
| 13 | | | | 54 | 1920634 | WASHER M4 NF E25-513 | |
| 14 | | | | 55 | | | |
| 15 | | | 2 | 56 | | | |
| 16 | | | | 57 | 1918861 | FRONT CONTACT POINT HOLDER | 1 |
| 17 | | | | 58 | | | |
| 18 | | | 2 | 59 | 1918860 | CONTACT POINT FRONT | 4 |
| 19 | | | | 60 | 1920635 | BOLT CAP | 6 |
| 20 | | | | 61 | | | |
| 21 | | | | 62 | | | |
| 22 | 1918852 | FRONT COVER | 1 | | | | |
| 23 | 1919090 | POWER MODULE | 1 | | | | |
| 24 | 1918856 | STEERING AXLE ONE | 1 | | | | |
| 25 | 1920633 | BOLT M4X20 DIN 7985 | 13 | | | | |
| 26 | | | | | | | |
| 27 | | | | | | | |
| 28 | | | | | | | |

| | | | | | | | |
|----|---------|--------------------|--|---|--|--|--|
| 29 | | | | | | | |
| 30 | | | | | | | |
| 31 | | | | | | | |
| 32 | 1920334 | FRONTWHEEL ONE AIR | | 2 | | | |
| 33 | 1920632 | FRONT BUMPER | | 1 | | | |
| 34 | | | | | | | |
| 35 | | | | | | | |

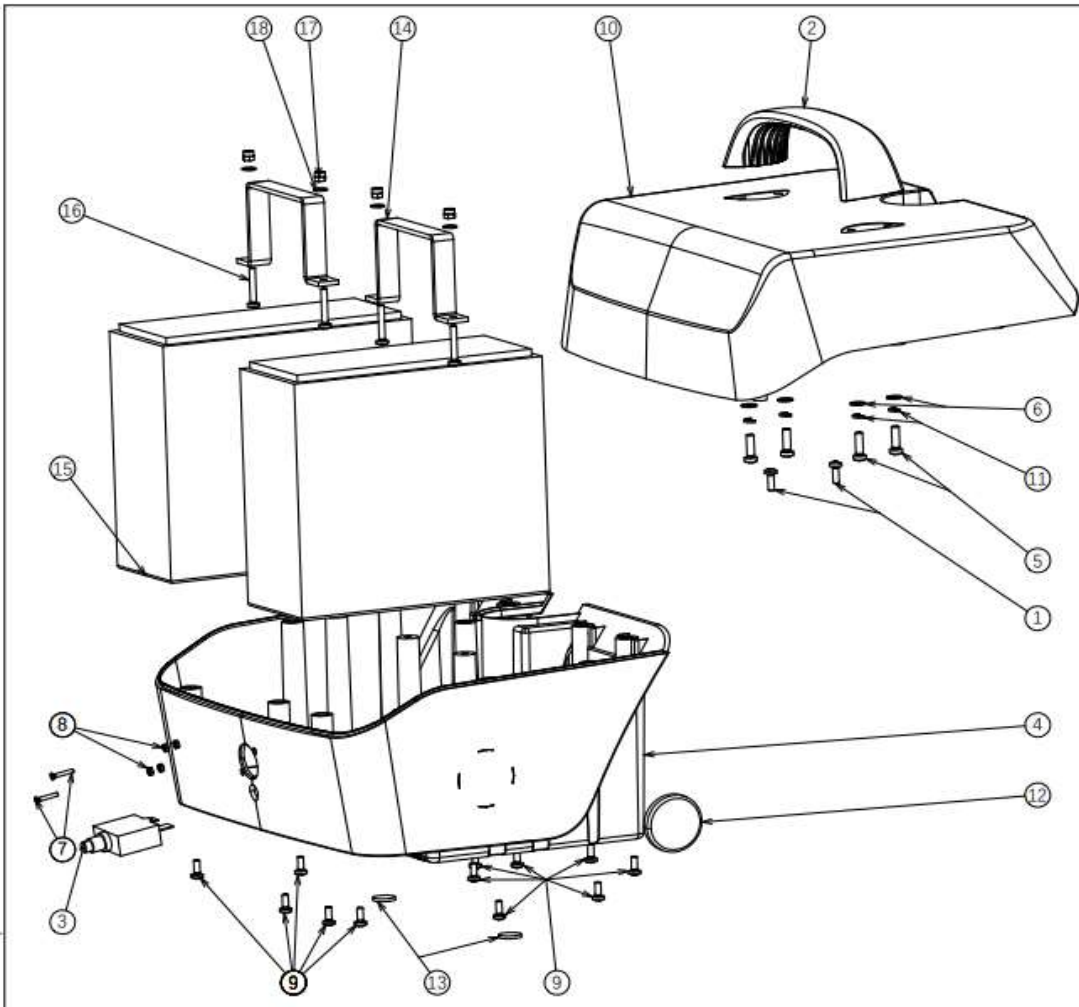


| no | part nu | part | QT | | part nu | part | QT |
|----|---------|------------|----|----|---------|------|----|
| 0 | 1920394 | TIRE | 4 | | | | |
| 0 | 1001263 | INNER TIRE | 4 | | | | |
| 1 | | | | 17 | | | |

| | | | | | | |
|----|---------|----------------------------|---|----|---------|-----------------------------|
| 2 | | | | 18 | | |
| 3 | | | | 19 | | |
| 3 | 1918887 | DIFF.+MOTOR+REM | 1 | 20 | | |
| 3 | 1920395 | DIFF | 1 | | | |
| 3 | 1920396 | MOTOR | 1 | | | |
| 3 | 1920397 | MOTORBRAKE | 1 | | | |
| 4 | | | | 21 | | |
| 4 | | | | 22 | | |
| 4 | | | | 23 | 1920342 | REAR WHEEL LU 2 |
| 4 | | | | 24 | | |
| 5 | | | | 25 | | |
| 6 | | | | 26 | | |
| 7 | | | | 27 | 1918889 | REAR CONTACT POINT HOLDER 1 |
| 8 | | | | 28 | | |
| 9 | | | | 30 | 1918890 | CONTACT POINT REAR 4 |
| 11 | 1918882 | REAR COVER | 1 | 31 | | |
| 12 | 1918886 | HANDLE REAR | 1 | 32 | | |
| 13 | 1918853 | COVER MIDDLE | 1 | 33 | | |
| 14 | 1920439 | COLOR PANEL SET L/R green | | 34 | | |
| 14 | 1920440 | COLOR PANEL SET L/R orange | | | | |
| 14 | 1920441 | COLOR PANEL SET L/R Pink | | | | |
| 14 | 1920442 | COLOR PANEL SET L/R blue | | | | |
| 15 | | | | 35 | | |
| 16 | | | | 36 | | |

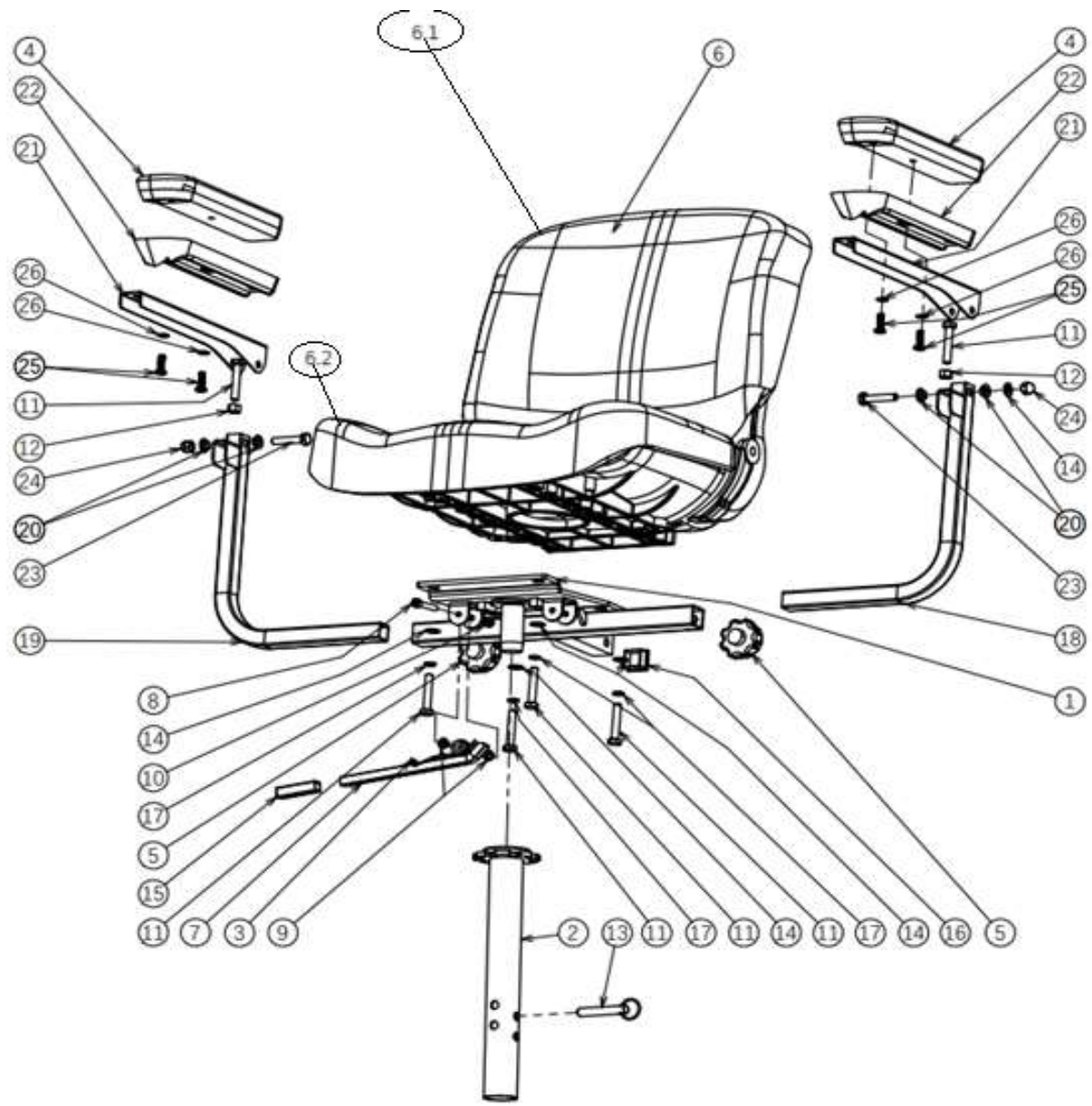


| no | part nu | part | QT | | | | |
|----|---------|---------|----|--|--|--|--|
| 1 | | | | | | | |
| 2 | | | | | | | |
| 3 | | | | | | | |
| 4 | | | | | | | |
| 5 | | | | | | | |
| 6 | | | | | | | |
| 7 | | | | | | | |
| 8 | | | | | | | |
| 9 | | | | | | | |
| 10 | | | | | | | |
| 11 | | | | | | | |
| 0 | | Charger | 1 | | | | |

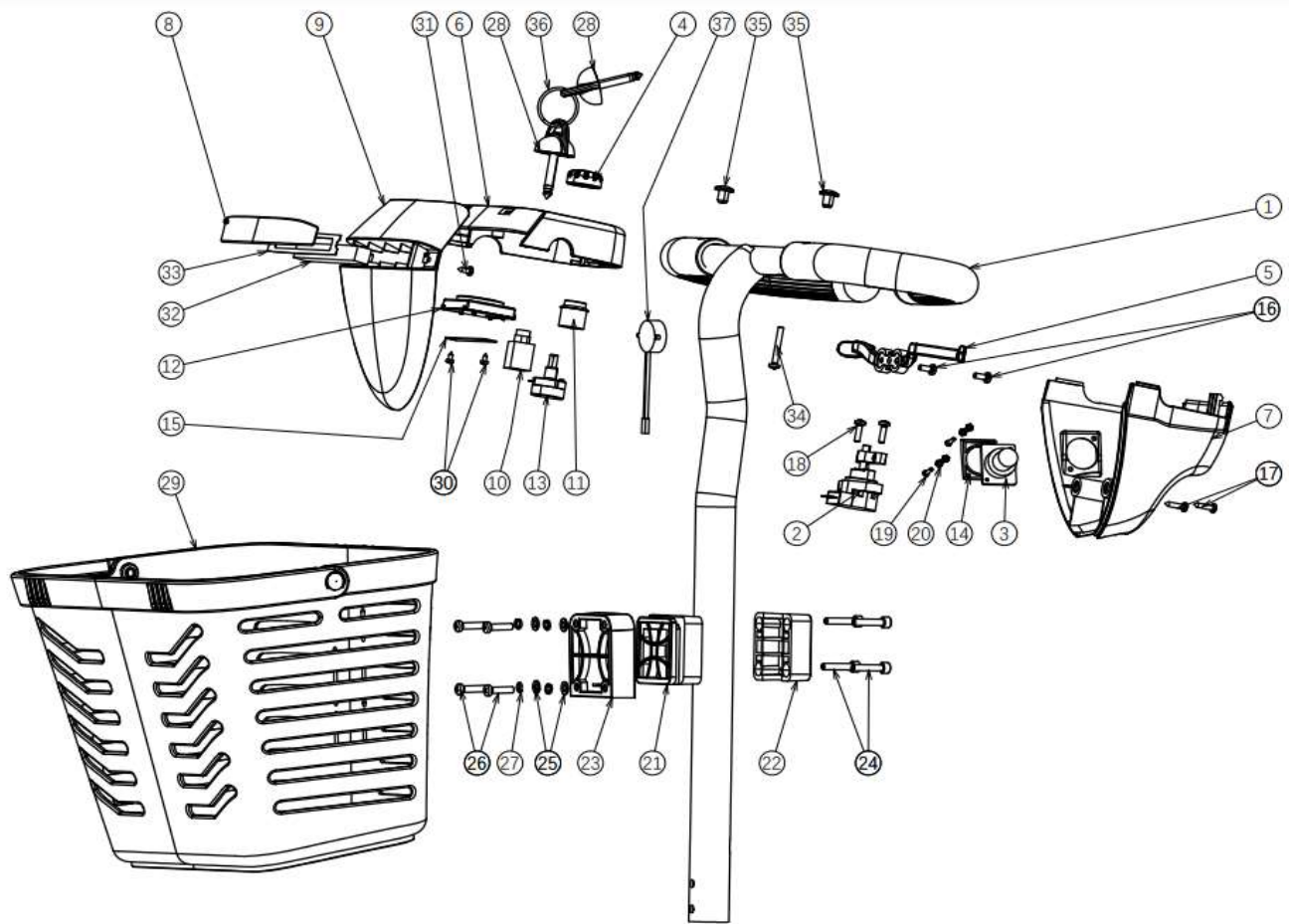


| no | part nu | part | QT | | | | |
|----|---------|------------------------------------|----|--|--|--|--|
| 0 | 1920391 | BATTERYBOX 25 AHCOMPLETE | 1 | | | | |
| 0 | 1920392 | BATTERY BOX 25AH WITHOUT BATTERIES | 1 | | | | |
| 1 | | | | | | | |
| 2 | | | | | | | |
| 3 | 1920531 | MAIN FUSE | | | | | |

| | | | | | | |
|----|---------|----------------|--|---|--|--|
| 4 | | | | | | |
| 5 | | | | | | |
| 6 | | | | | | |
| 7 | | | | | | |
| 8 | | | | | | |
| 9 | | | | | | |
| 10 | | | | | | |
| 11 | | | | | | |
| 12 | | | | | | |
| 13 | | | | | | |
| 14 | | | | | | |
| 15 | 1920301 | BATTERY 25 A/H | | 2 | | |
| 16 | | | | | | |
| 17 | | | | | | |
| 18 | | | | | | |
| 0 | 1919798 | CHARGER | | 1 | | |



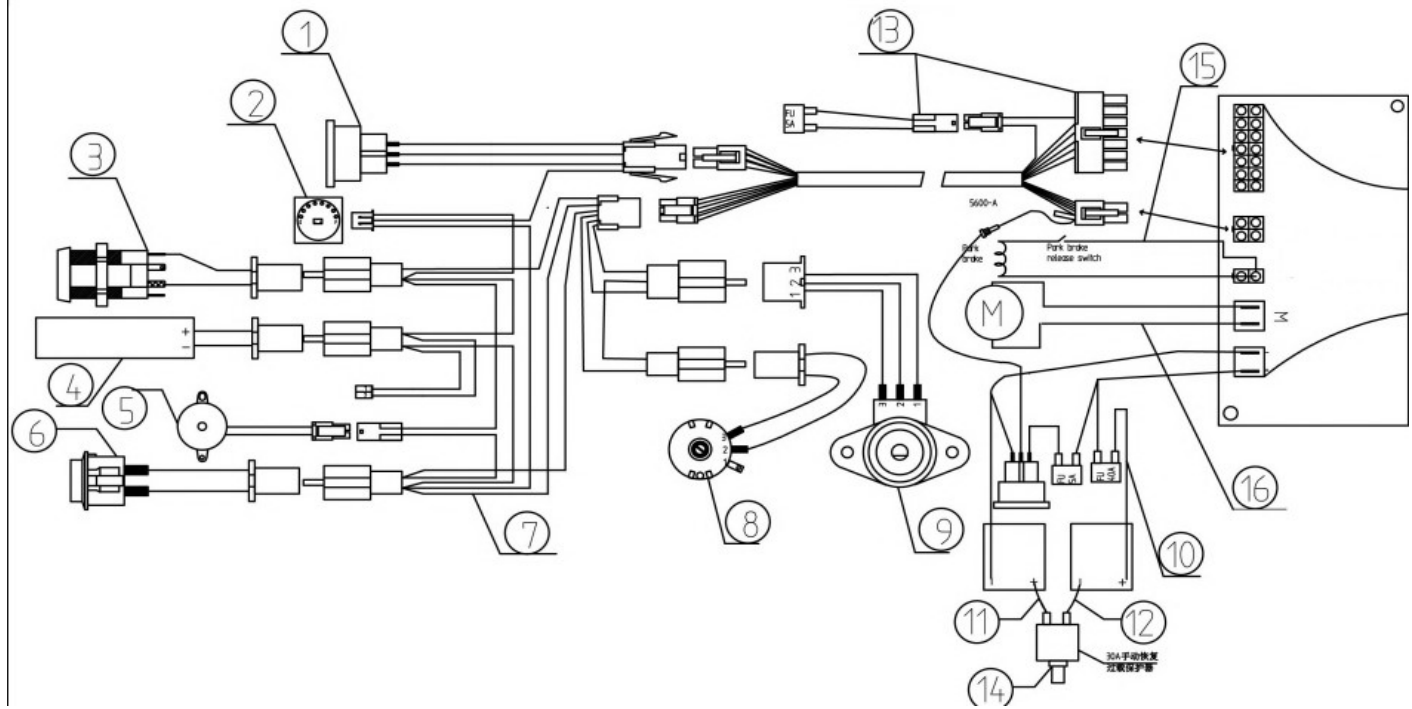
| no | part nu | part | QT | | | |
|-----|---------|-----------------------|----|--|--|--|
| 0 | | | | | | |
| 1 | | | | | | |
| 2 | 1918898 | SEAT TUBE | 1 | | | |
| 3 | | | | | | |
| 4 | 1918895 | ARM PAD | 2 | | | |
| 5 | 1920266 | BOLT ARMREST FIXATION | 2 | | | |
| 6 | 1918899 | CHAIR | 1 | | | |
| 6.1 | 1920640 | BACK | 1 | | | |
| 6.2 | 1920641 | SEAT | | | | |
| 7 | 1920645 | SEAT HANDLE | 1 | | | |
| 8 | | | | | | |
| 8 | | | | | | |
| 9 | | | | | | |
| 10 | | | | | | |
| 11 | | | | | | |
| 12 | | | | | | |
| 13 | | | | | | |
| 14 | | | | | | |
| 15 | | | | | | |
| 16 | | | | | | |
| 17 | | | | | | |
| 18 | 1918903 | ARMREST LOWER LEFT | 1 | | | |
| 19 | 1918907 | ARMREST LOWER RIGHT | 1 | | | |
| 20 | | | | | | |
| 21 | 1918931 | ARMRESR UPPER PART | 2 | | | |
| 22 | | | | | | |
| 23 | | | | | | |
| 24 | | | | | | |
| | 1920830 | ARM REST COMPLETE L | 1 | | | |
| | 1920831 | ARM REST COMPLETE R | 1 | | | |



| no | part nu | part | QT |
|----|---------|---------------------|----|
| 1 | | | |
| 2 | 1918911 | SPEED DIAL ASSEMBLY | 1 |
| 3 | 1918918 | CHARGER SOCKET | 1 |
| 4 | | | |
| 5 | 1918910 | SPEED LEVER | 1 |

| | | | |
|----|---------|------------------------------|---|
| 6 | | | |
| 7 | 1918913 | STEERING COVER BACK | 1 |
| 8 | | | |
| 9 | 1918914 | STEERING COVER FRONT | 1 |
| 10 | 1919437 | CONTACT IGNITION | 1 |
| 11 | 1920423 | HORN SWITCH | 1 |
| 12 | 1918912 | BATTERY INDICATOR | 1 |
| 13 | 1918909 | POT SPEED | 1 |
| 14 | | | |
| 15 | | | |
| 16 | | | |
| 17 | | | |
| 18 | | | |
| 19 | | | |
| 20 | | | |
| 21 | 1920502 | ASSEMBLY PLATE BASKET MIDDLE | 1 |
| 22 | 1920510 | ASSEMBLY PLATE BASKET REAR | 1 |
| 23 | 1920501 | ASSEMBLY PLATE BASKET FRONT | 1 |
| | 1920832 | BASKET HOLDER COMPLETE | |
| 24 | 1920511 | BOLT M5X25 | 2 |
| 25 | 1920503 | WASHER | 4 |
| 26 | 1920505 | BOLT M5X20 | 4 |
| 27 | | | |
| 28 | 1918908 | IGNITION KEY | 1 |
| 29 | 1920509 | BASKET | 1 |
| 30 | | | |
| 31 | | | |
| 32 | 1920629 | FRONT LIGHT | 1 |
| 33 | | | |
| 34 | | | |
| 35 | | | |
| | 1918977 | MIRROR LEFT | 1 |
| | 1918978 | MIRROR RICHT | 1 |

| | | | |
|----|---------|------|---|
| 37 | 1920628 | HORN | 1 |
|----|---------|------|---|



| no | part nu | part | QT |
|----|---------|----------------|----|
| 1 | 1918918 | CHARGER SOCKET | 1 |
| 2 | | | |
| 3 | | | |
| 4 | | | |
| 5 | | | |
| 6 | | | |
| 7 | 1918976 | MAIN CABLE | 1 |
| 8 | | | |

| | | | | |
|----|---------|------------|---|--|
| 9 | 1918909 | POT. SPEED | 1 | |
| 10 | | | | |
| 11 | | | | |
| 12 | | | | |
| 13 | | | | |
| 14 | | | | |
| 15 | | | | |
| 16 | | | | |