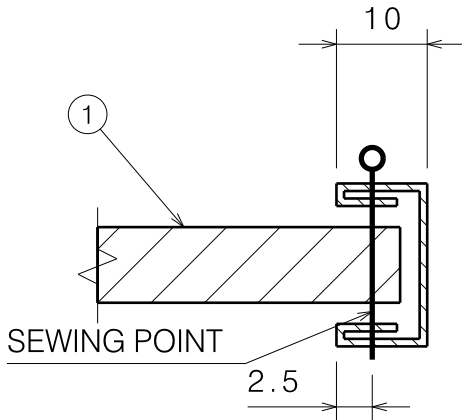


Material					
No.	Article	XS	S	M	L
1	2991014	0,033	0,055	0,068	0,11
2	1009516	5,4	0	0	0
	1009517	0	5,4	5,4	5,4
3	1991236	6	0	0	0
	1009512	0	6	6	6
4	W700813	3	0	0	0
	1009508	0	3	3	3
5	1992533	5	0	0	0
	2991330	0	5	5	5
6	2991886	0,8	1	1,2	1,4

Sizes [cm]					
	A	B	C	Lenght	Article
XS	2,5	4,4	15	117	2991092
S	3,8	5,7	18	127	2991093
M	3,8	6,4	23	142	2991094
L	3,8	7,6	28	152	2990682



VERMEIREN NV
 Vermeirenplein 1-15
 2920 Kalmthout
 www.vermeiren.com

Made in Poland
NeoFlex
U76Neo.
size M

contains:
 90% Neopren
 8% Poliester
 2% Elastan

Mounting			
No.	Plan	Article	Quantity
1	XP01976	2993641	2
2	XP01980	2993813	2
3	XP01979	2993812	2
4	M6X30 collar bolt	2994294	2
5	YP07178	2760099	2



EP00344 / B

NEO U76 ABDUCTION BELT 2 POINT				Plan No.
				EP00344 / B
Scale: N/A	Drafted	Verified	Confirmed	
Date	31/07/2018	04/03/2019	04/03/2019	
Initials	FD	AS	TK	