

Isometric view
Scale: 1:7

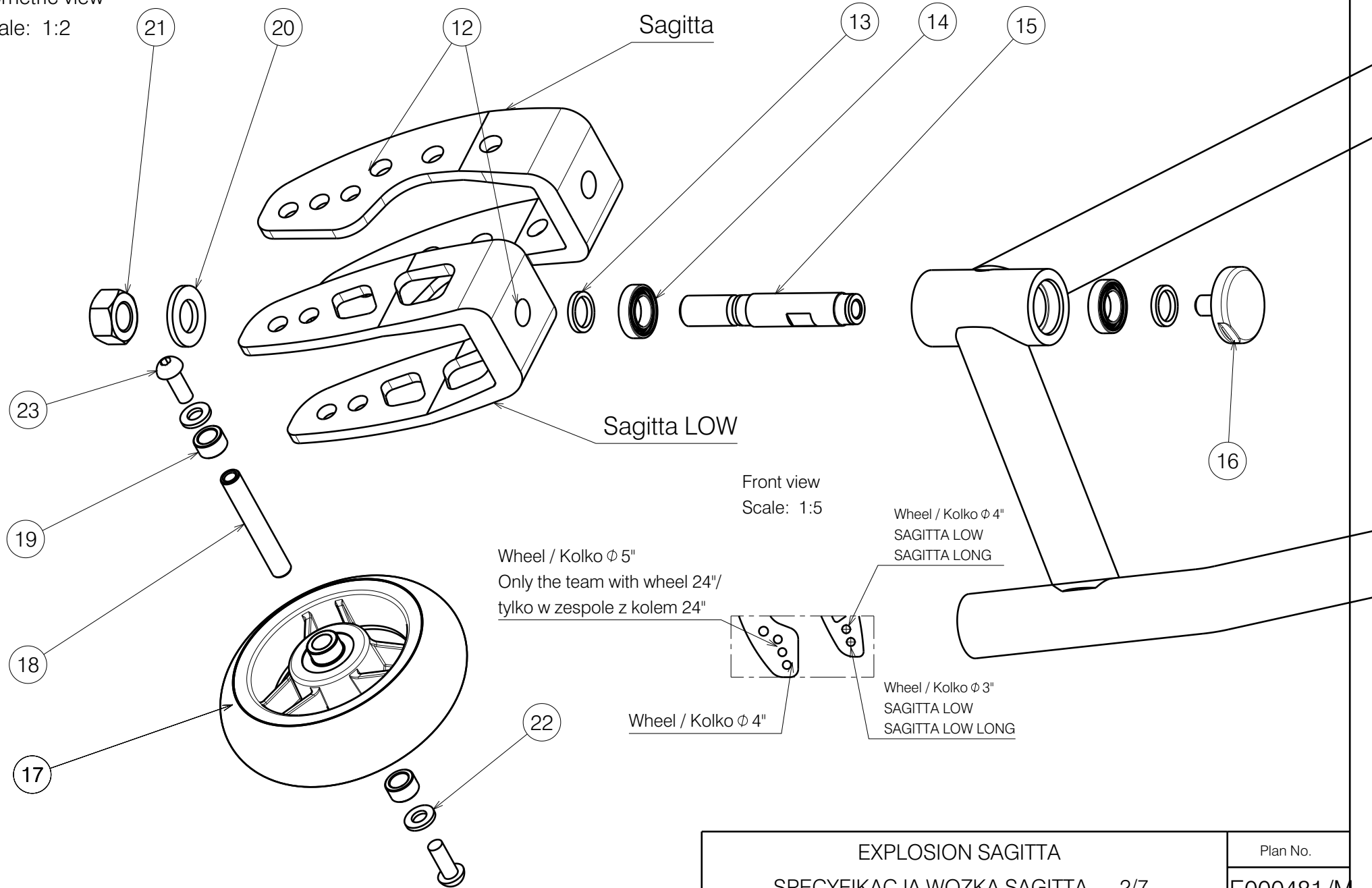
E000481/M

| | | | | |
|--------------------------------|------------|------------|------------|------------|
| EXPLOSION SAGITTA | | | | Plan No. |
| SPECYFIKACJA WOZKA SAGITTA 1/7 | | | | E000481/M |
| Scale | 1:7 | Drafted | Verified | Confirmed |
| Date | 31/07/2008 | 29/07/2024 | 29/07/2024 | 29/07/2024 |
| Init. | RM | PM | AS | |



Isometric view

Scale: 1:2



Front view
Scale: 1:5

Wheel / Kolko Ø 5"
Only the team with wheel 24"/
tylko w zespole z kołem 24"

Wheel / Kolko Ø 4"
SAGITTA LOW
SAGITTA LONG

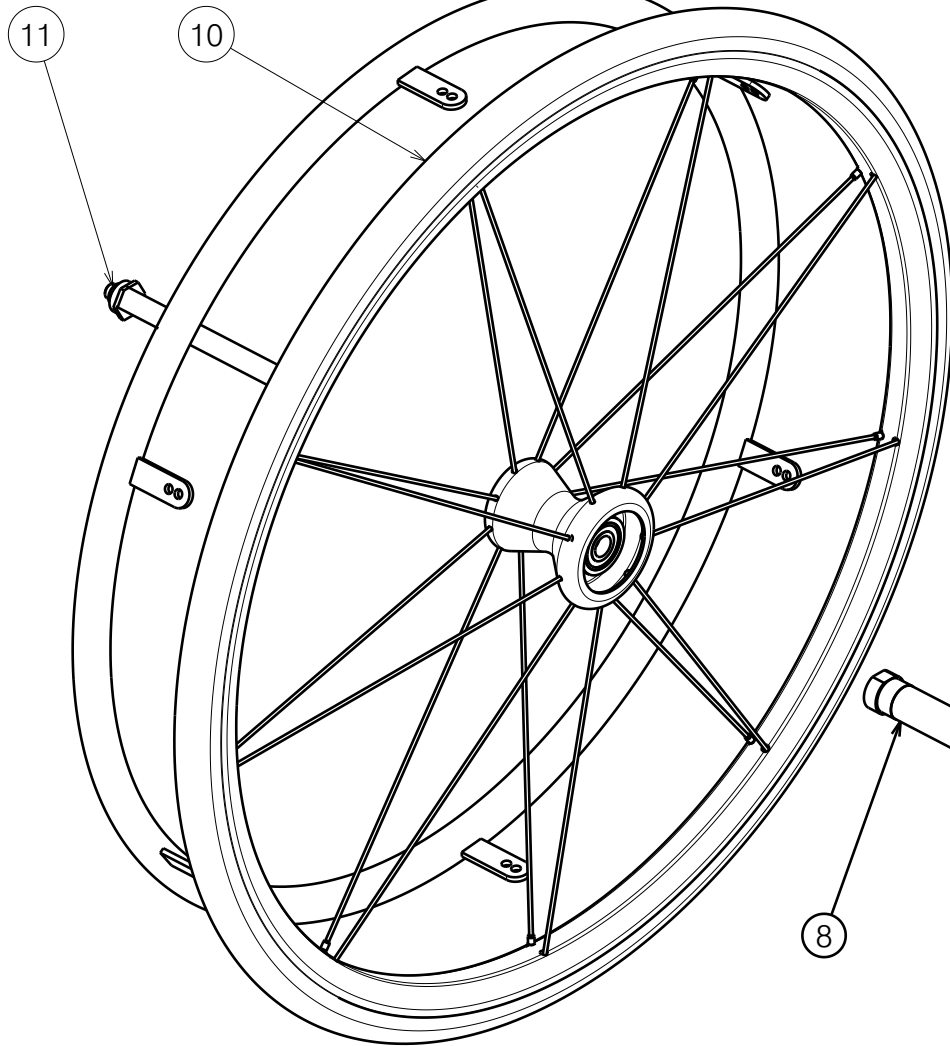
Wheel / Kolko Ø 3"
SAGITTA LOW
SAGITTA LOW LONG

Wheel / Kolko Ø 4"

E000481 /M

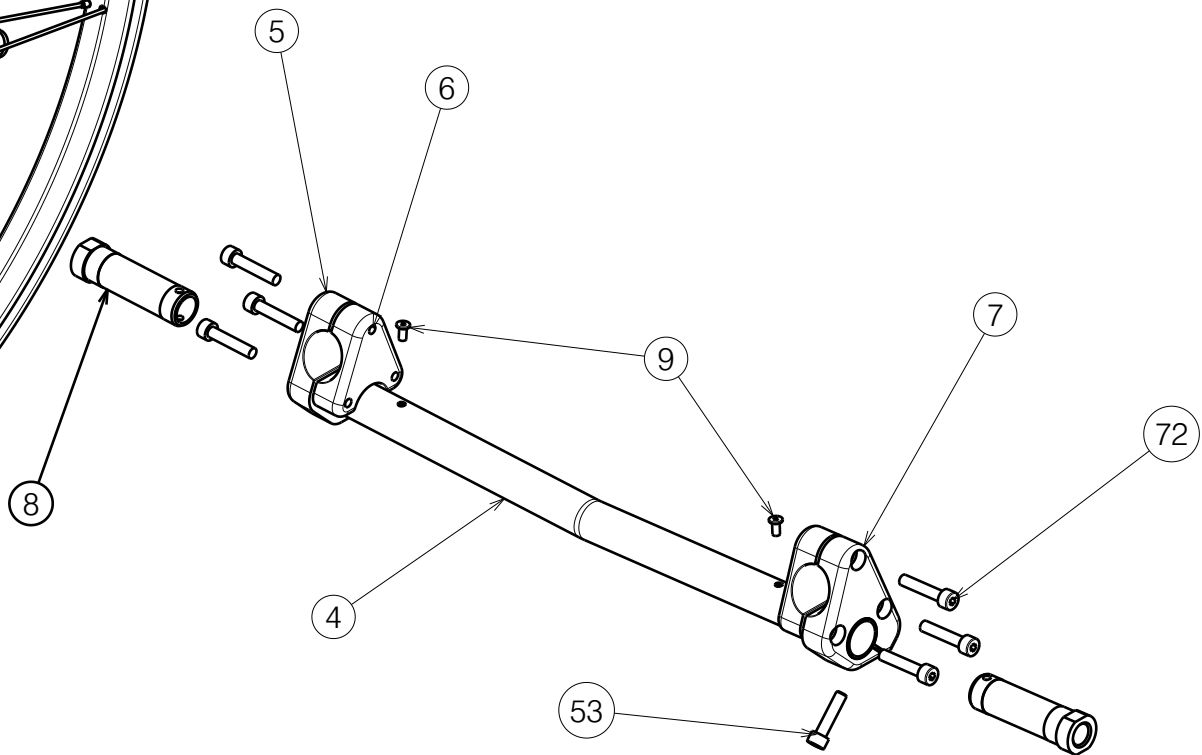
| | | | | |
|--------------------------------|------------|------------|------------|------------|
| EXPLOSION SAGITTA | | | | Plan No. |
| SPECYFIKACJA WOZKA SAGITTA 2/7 | | | | E000481 /M |
| Scale | 1:2 | Drafted | Verified | Confirmed |
| Date | 31/07/2008 | 29/07/2024 | 29/07/2024 | |
| Init. | RM | PM | AS | |





Isometric view

Scale: 1:4



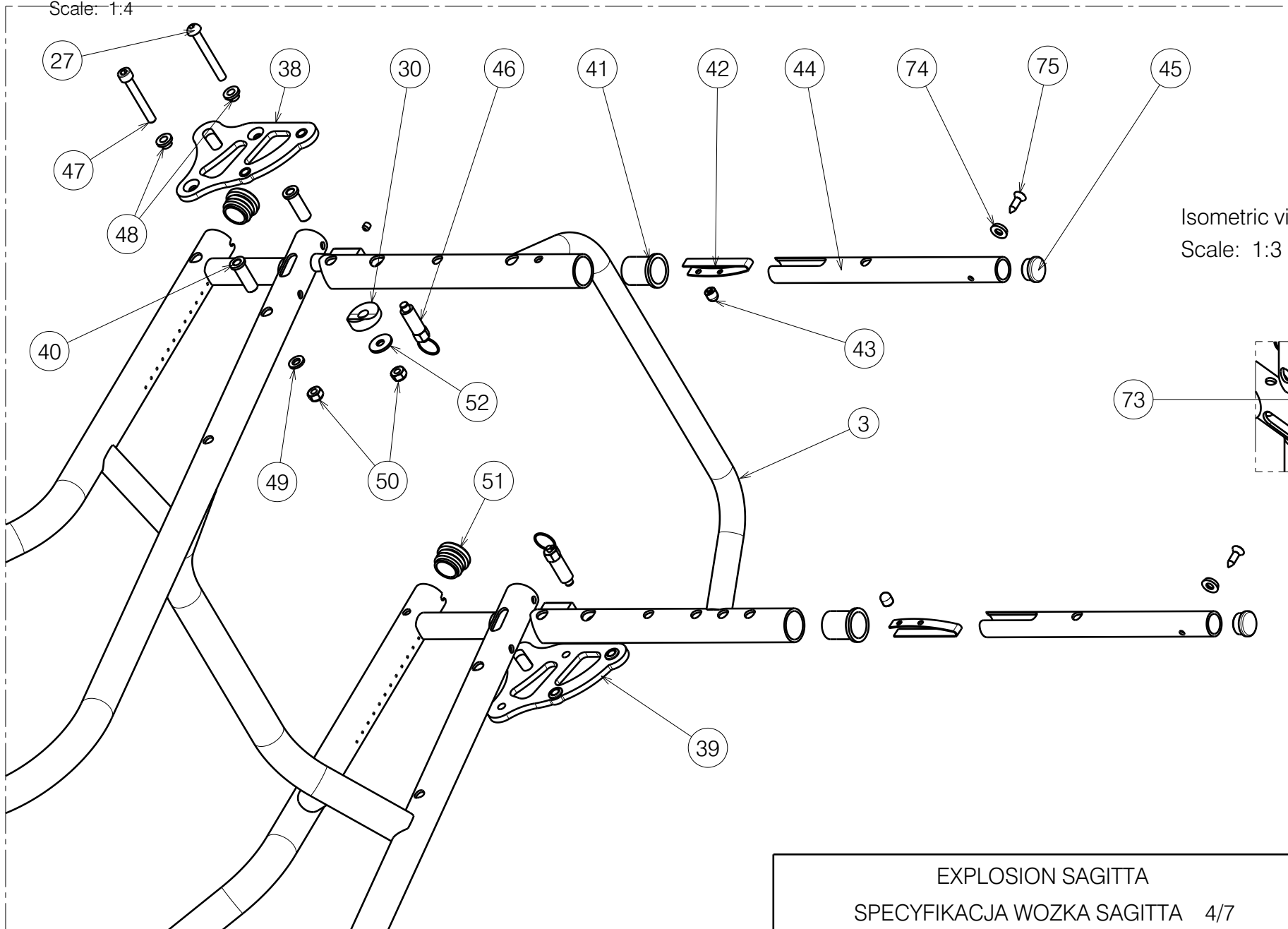
E000481 /M

| | | | | |
|----------------------------|------------|------------|------------|-----------------------|
| EXPLOSION SAGITTA | | | | Plan No. E000481/M |
| SPECYFIKACJA WOZKA SAGITTA | | | 3/7 | |
| Scale | 1:4 | Drafted | Verified | Confirmed |
| Date | 31/07/2008 | 29/07/2024 | 29/07/2024 | 29/07/2024 |
| Init. | RM | PM | AS | |



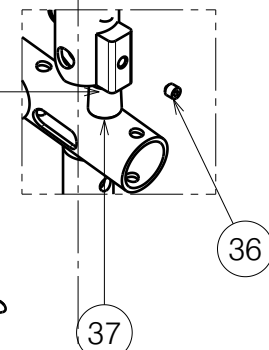
Isometric view

Scale: 1:4



Isometric view

Scale: 1:3



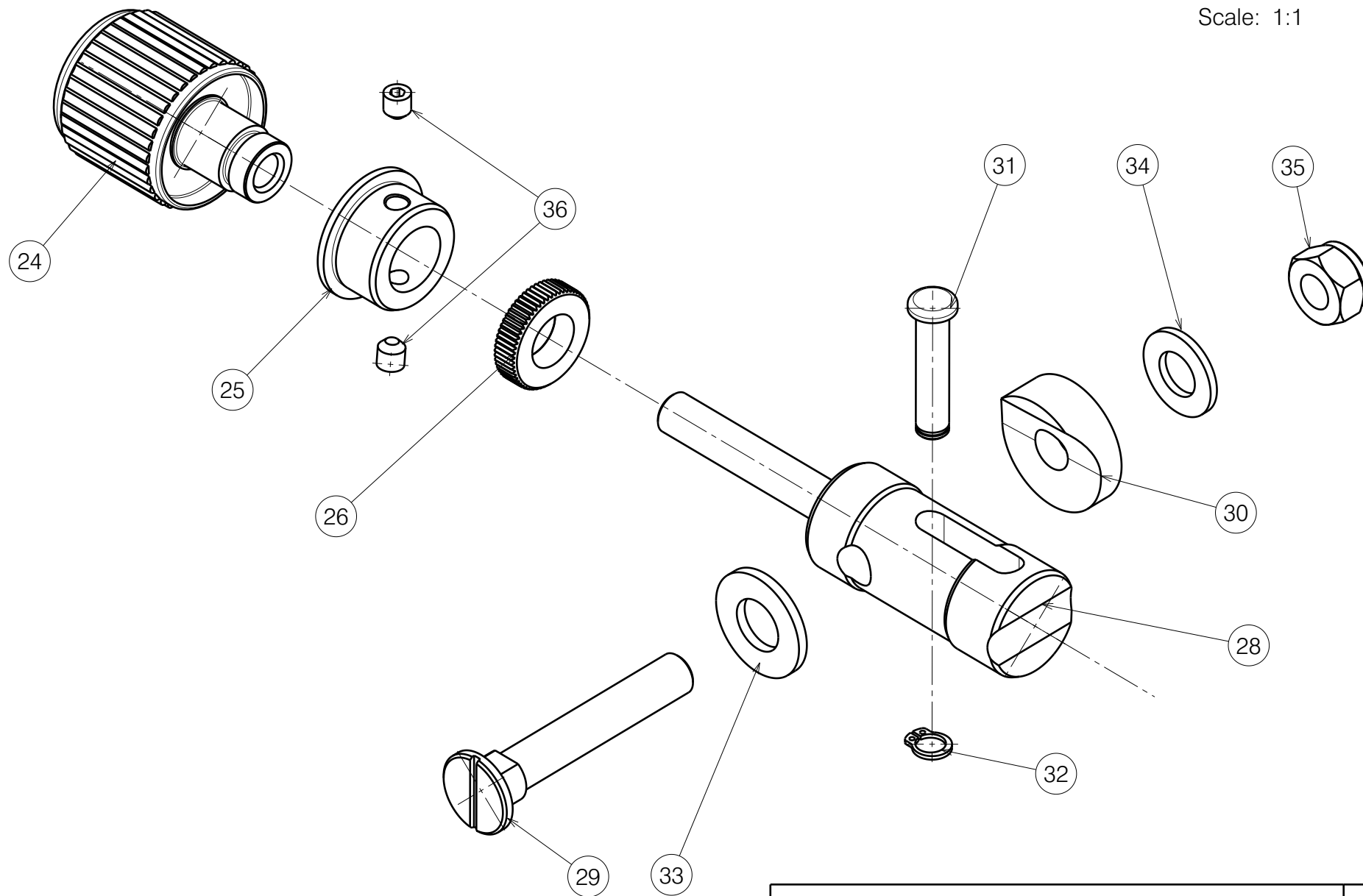
E000481 /M

| | | | | |
|--------------------------------|------------|------------|------------|------------|
| EXPLOSION SAGITTA | | | | Plan No. |
| SPECYFIKACJA WOZKA SAGITTA 4/7 | | | | E000481/M |
| Scale | 1:4 | Drafted | Verified | Confirmed |
| Date | 31/07/2008 | 29/07/2024 | 29/07/2024 | 29/07/2024 |
| Init. | RM | PM | AS | |



Isometric view

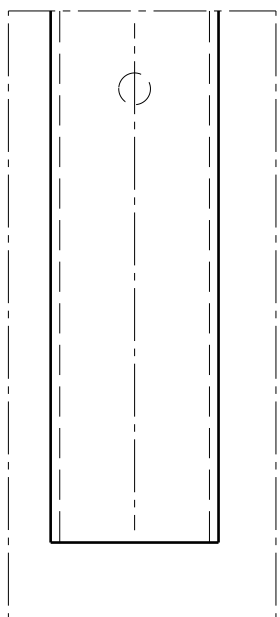
Scale: 1:1



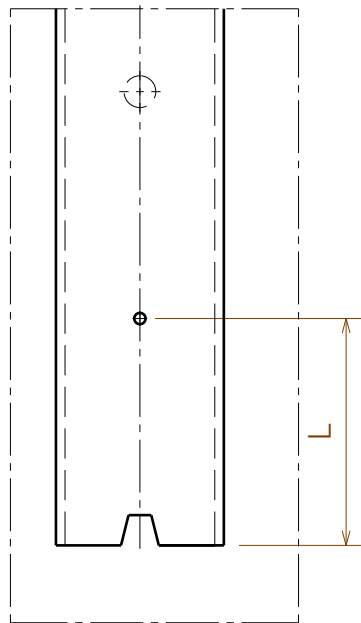
E000481 /M

| | | | | |
|--------------------------------|------------|------------|------------|------------|
| EXPLOSION SAGITTA | | | | Plan No. |
| SPECYFIKACJA WOZKA SAGITTA 5/7 | | | | E000481/M |
| Scale | 1:1 | Drafted | Verified | Confirmed |
| Date | 31/07/2008 | 29/07/2024 | 29/07/2024 | 29/07/2024 |
| Init. | RM | PM | AS | |

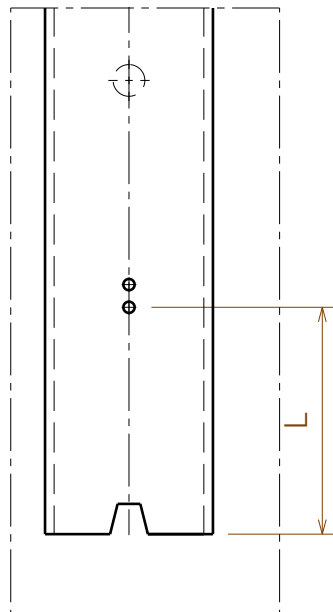




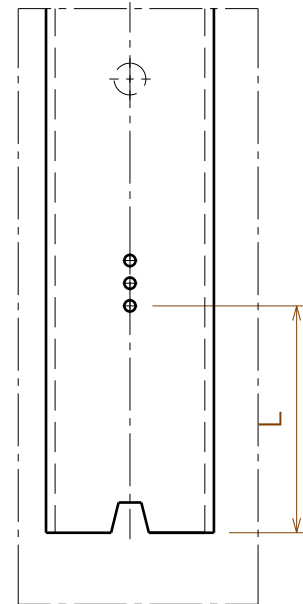
0°



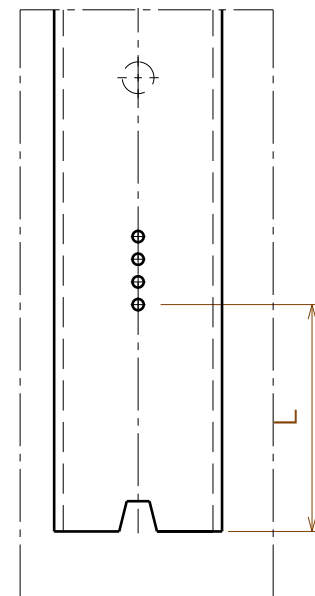
2°



4°



6°



8°

| AXLES OF WEELS / OSIE KOL | |
|----------------------------|---------------------------------|
| Lenght / Dlugosc L (mm) | Width / Szerokosc wozka (cm) |
| 10 | 36 |
| 30 | 38 |
| 50 | 40 |
| 70 | 42 |
| 90 | 44 |
| 100 | 46 |

| EXPLOSION SAGITTA | | | | Plan No. E000481/M |
|--------------------------------|------------|------------|------------|---|
| SPECYFIKACJA WOZKA SAGITTA 6/7 | | | | |
| Scale 1:1 | Drafted | Verified | Confirmed |  |
| Date | 31/07/2008 | 29/07/2024 | 29/07/2024 | |
| Init. | RM | PM | AS | |

E000481 /M

| Material | | | |
|----------|---------------------------------|-----------------|--------------|
| No./Nr | Plan/Nr rys. | Article/Artykul | Number/Ilosc |
| 1 | Frame | | |
| 2 | Footrest | E000401 | - |
| 3 | Backrest | | |
| 4 | YP01268 | 18534 | 1 |
| 5 | XP00353 | 1862554 | 1 |
| 6 | XP00352 | 1862654 | 2 |
| 7 | XP00351 | 1862754 | 1 |
| 8 | --- | --- | --- |
| | XP00454 | 2990349 | 2 |
| 9 | D4x8 | 2990307 | 2 |
| 10 | | 2990317 | 2 |
| 11 | MBL628278 | 2990330(24") | 2 |
| | MBL618353 | 1991876(22") | 2 |
| 12 | XP00385 | 18707(Low) | 2 |
| | XP00336 | 18628 | 2 |
| 13 | X000188 | G0785 | 4 |
| 14 | | 1003276 | 4 |
| 15 | XP00338 | 18538 | 2 |
| 16 | XP00340 | 18548 | 2 |
| 17 | KNSTF 3" | 2990568 | 2 |
| | KNSTF 4" | 2990348 | 2 |
| | KNSTF 5" | 2990328 | 2 |
| 18 | XP00341 | 1854900 | 2 |
| 19 | XP00339(4",5"-normal) | GP00044 | 4 |
| | XP00680 (4",5"-led;3",4"-trans) | 2990917 | 4 |
| 20 | | 1003369 | 2 |
| 21 | M12x1,25 | 1994605 | 2 |
| 22 | | 1001564 | 4 |
| 23 | M6x16 | 1008459 | 4 |
| 24 | XP00535 | 2990627 | 2 |
| 25 | XP00345 | 2990310 | 2 |
| 26 | XP00390 | 2990459 | 2 |
| 27 | M6x50 | 1007970 | 2 |
| 28 | XP00405 | GP00054 | 2 |
| 29 | XP00346 | 1853900 | 2 |
| 30 | XP00369 | GP00045 | 4 |

| Material | | | |
|----------|--------------|-----------------|--------------|
| No./Nr. | Plan/Nr rys. | Article/Artykul | Number/Ilosc |
| 31 | XP00392 | GP00055 | 2 |
| 32 | D6 | 2990462 | 2 |
| 33 | | 1001557 | 2 |
| 34 | | 1001554 | 2 |
| 35 | M8 | 1001682 | 2 |
| 36 | M5x5 | 1991323 | 6 |
| 37 | | 1900072 | 2 |
| 38 | YP01730 | 18772 | 1 |
| 39 | YP01731 | 18897 | 1 |
| 40 | XP00365 | 18553 | 4 |
| 41 | XP00357 | 2990300 | 4 |
| 42 | Y000462 | F000050 | 2 |
| 43 | X000273 | G060600 | 2 |
| 44 | YP01257 | 18533.. | 2 |
| | YP01438 | 18631.. | 2 |
| | YP01439 | 18632.. | 2 |
| | YP01440 | 18633.. | 2 |
| 45 | | 1001602 | 2 |
| 46 | GN717-6-AK | 2990301 | 2 |
| 47 | M6x45 | 1003109 | 2 |
| 48 | | 2990164 | 12 |
| 49 | | 1000973 | 2 |
| 50 | M6 | 1001680 | 8 |
| 51 | | 1991857 | 2 |
| 52 | D6xD18x1,6 | 1997328 | 2 |
| 53 | M6x25 | 1001494 | 2 |
| 54 | M6x12 | 1005949 | 2 |
| 55 | XP00350 | 18550 | 2 |
| 56 | MBL 674001 | 2990321 | 2 |
| 57 | MBL 673074 | 2990319 | 1 |
| 58 | MBL 673073 | 2990320 | 1 |

| Material | | | |
|----------|--------------|-----------------|--------------|
| No./Nr. | Plan/Nr rys. | Article/Artykul | Number/Ilosc |
| 59 | L | 1992929 | 1 |
| 60 | R | 1992930 | 1 |
| 61 | YP01689 | 18766 | 1 |
| * | YP05038* | 28981* | 1* |
| 62 | YP02932 | 28181 | 2 |
| * | YP05037* | 28980* | 2* |
| 63 | XP00366 | 2990331 | 4 |
| 64 | YP01715 | 18767 | 1 |
| * | YP05039* | 28982* | 1* |
| 65 | XP00412 | 2990456 | 4 |
| 66 | D4X14 | 1001584 | 7 |
| 67 | XP00422 | 2990457 | 4 |
| 68 | M6x40 | 1991017 | 4 |
| 69 | YP01328 | 18653 | 2 |
| 70 | | 2990351 | 2 |
| 71 | YP01435 | 18624/18652 | 1 |
| 72 | M6x30 | 1001495 | 6 |
| 73 | M6x30 | 1001432 | 2 |
| 74 | X001473 | 1002994 | 2 |
| 75 | 4,8x16 | 1001534 | 2 |
| 76 | --- | 1003299 | 0,9 M |
| ** 77 | BA6 | E000410 | --- |
| ** 78 | PH05(Ø19) | EP00085 | --- |
| | PH05(Ø22) | EP00648 | --- |
| ** 79 | B78 | E000408 | --- |
| ** 80 | PH03 | EP00647 | --- |

| Material INOX | | | |
|---------------|--------------|-----------------|--------------|
| No./Nr | Plan/Nr rys. | Article/Artykul | Number/Ilosc |
| 21 | M12x1,25 | 2990535 | 2 |
| 23 | M6x16 | 2990537 | 4 |
| 27 | M6x50 | 2990562 | 2 |
| 35 | M8 | 2990534 | 2 |
| 47 | M6x45 | 2990542 | 2 |
| 50 | M6 | 2990533 | 8 |
| 53 | M6x25 | 2990538 | 2 |
| 54 | M6x12 | 2990536 | 2 |
| 68 | M6x40 | 2990541 | 4 |
| 72 | M6x30 | 2990540 | 6 |
| 73 | M6x30 | 2990539 | 2 |

| | | | | |
|---------------------------------------|------------|------------|------------|------------------|
| EXPLOSION SAGITTA | | | | Plan No. |
| SPECYFIKACJA WOZKA SAGITTA 7/7 | | | | E000481/M |
| Scale | 1:1 | Drafted | Verified | Confirmed |
| Date | 31/07/2008 | 29/07/2024 | 29/07/2024 | |
| Init. | RM | PM | AS | |



* - option for France

** - not depicted

E000481/M