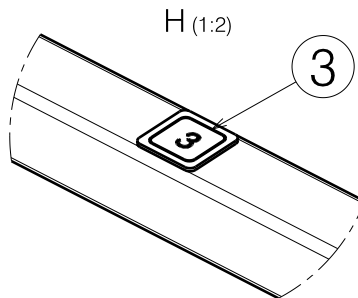
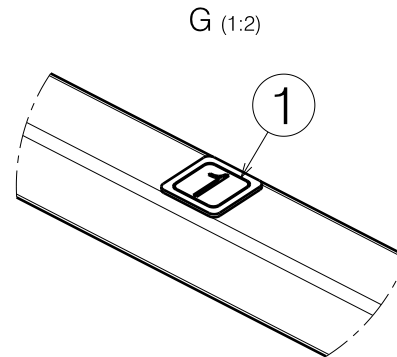
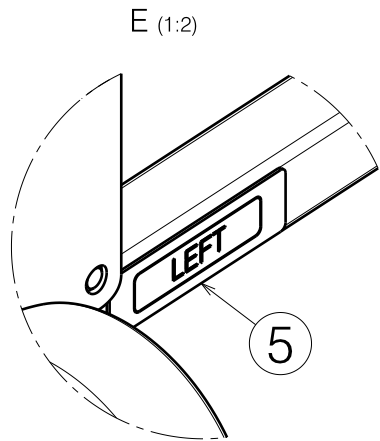
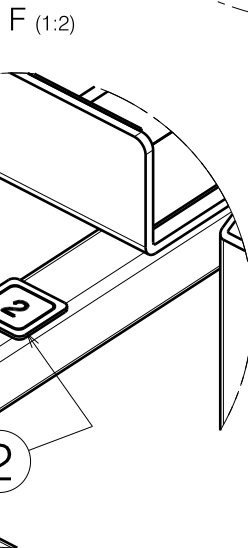
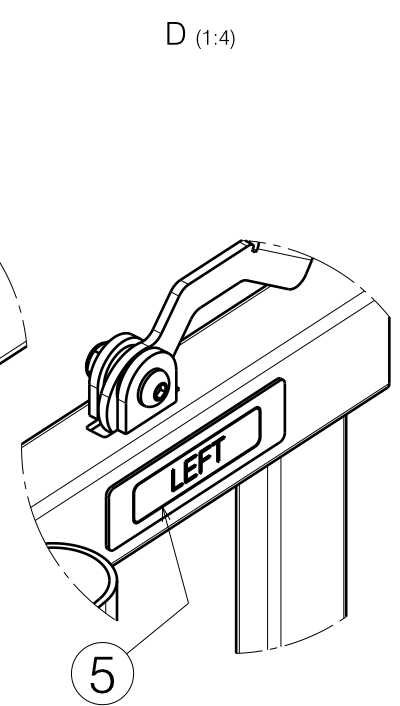
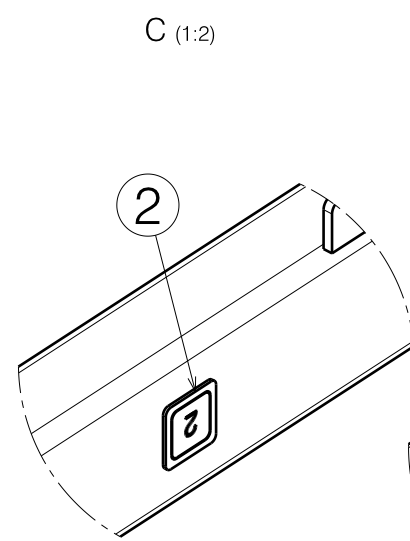
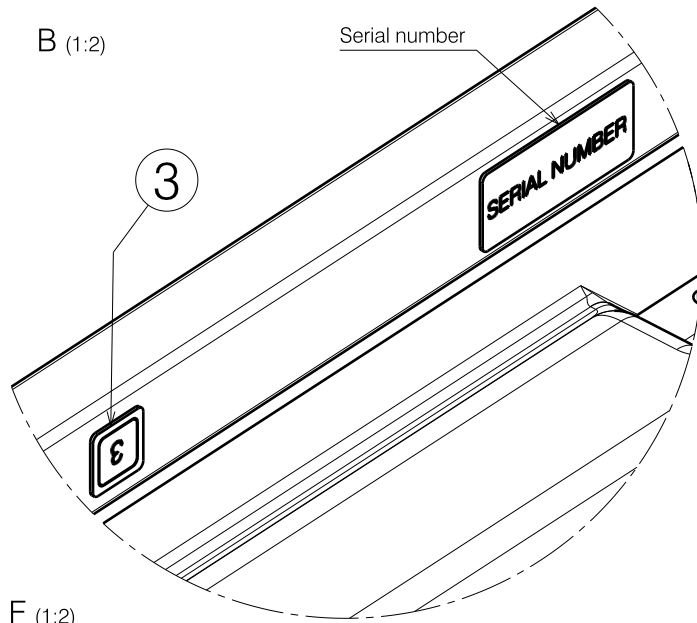
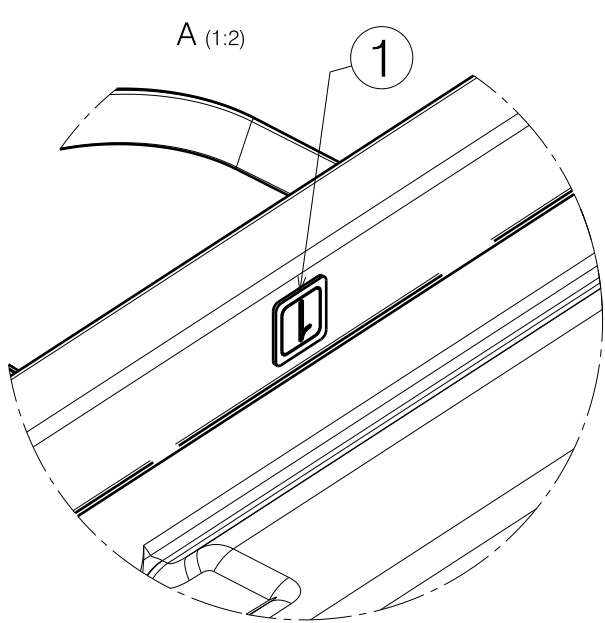


EP00278 / C

STICKERS / ILLCIO				Plan No.
				1/2 EP00278 / C
Scale: 1:13	Drafted	Verified	Confirmed	
Date	12/01/2018	27/02/2018	27/02/2018	
Initials	AZ	DR	TK	



Material			
No.	Plan	Article	Quantity
1	Sticker "1"	2993636	2
2	Sticker "2"	2993637	2
3	Sticker "3"	2993638	2
4	Sticker "RIGHT"	2993639	2
5	Sticker "LEFT"	2993640	2

STICKERS / ILLCIO				Plan No.
				2/2 EP00278 / C
Scale: 1:13	Drafted	Verified	Confirmed	
Date	12/01/2018	27/02/2018	27/02/2018	
Initials	AZ	DR	TK	

EP00278 / C