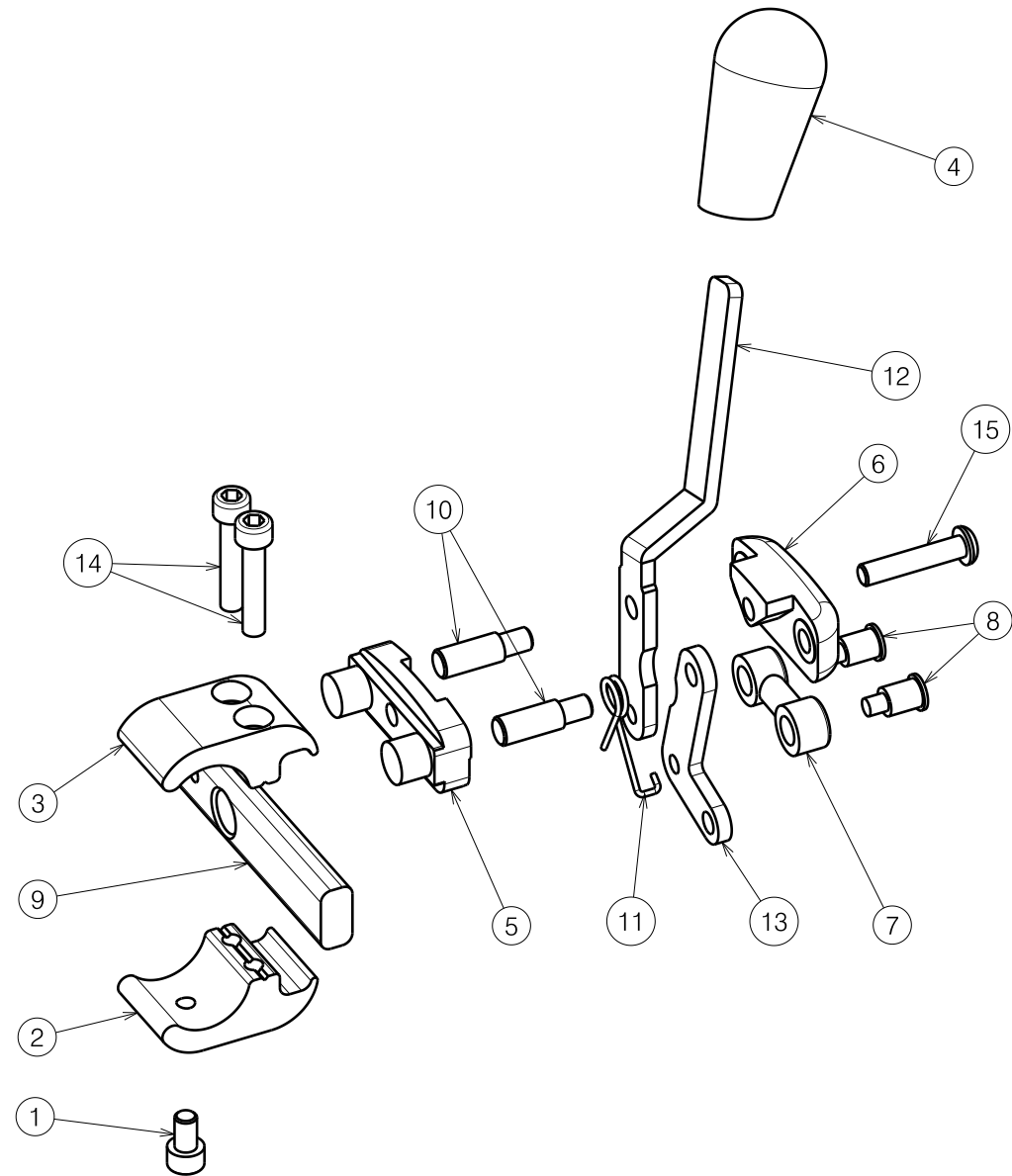


Material			
No.	Plan	Article	Quantity
1	X002112	1001491	1
2	X002116	1552782	1
3	X002115	1552682	1
4	X002134	1992411	1
5	X002139	1992426	1
6	X002140	1992427	1
7	X002141	1992435	1
8	X002165	1488300	2
9	X002155	1552582	1
10	X005276	1793900	2
11	X005305	1910032	1
12	Y016713	1735454	1
13	Y020193	1794054	1
14	M6x30 DIN912	1001495	2
15	M6x30 ISO7380	1009588	1

Sheet 1/2

E000920 / A

BRAKE ECLIPS WITHOUT PIN 2014 Left side				Plan No.
				E000920 / A
Scale: 1:2	Drafted	Verified	Confirmed	
Date	27/01/2014	27/01/2014	27/01/2014	
Initials	SD	SD	PJ	



Material			
No.	Plan	Article	Quantity
1	X002112	1001491	1
2	X002116	1552782	1
3	X002115	1552682	1
4	X002134	1992411	1
5	X002139	1992426	1
6	X002140	1992427	1
7	X002141	1992435	1
8	X002165	1488300	2
9	X002155	1552582	1
10	X005276	1793900	2
11	X005306	1910033	1
12	Y016715	1735554	1
13	Y020193	1794054	1
14	M6x30 DIN912	1001495	2
15	M6x30 ISO7380	1009588	1

Sheet 2/2

E000920 / A

BRAKE ECLIPS WITHOUT PIN 2014 Right side				Plan No.
				E000920 / A
Scale: 1:2	Drafted	Verified	Confirmed	
Date	27/01/2014	27/01/2014	27/01/2014	
Initials	SD	SD	PJ	