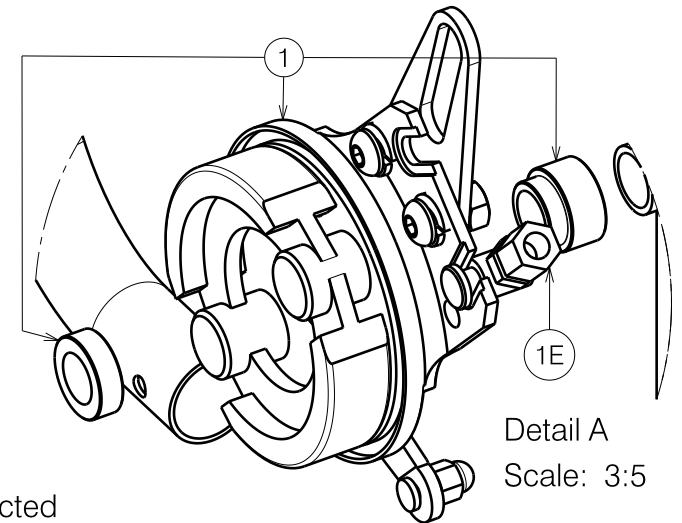


Material			
No.	Plan	Article	Quantity
1	---	3991300 (Side A)	1
	---	3991301 (Side B)	1
1A	---	1001684	2
1B	---	1994012	2
1C	---	1004094	2x0.5m
1D	---	1993218	2
1E	---	1991919	2
1F	---	1004109	2
1G	---	1001561	2
1H	---	3991252	2
2	Y001772	17609	2
3	---	1003109	2
4	---	1905239	2
5	X000582	1005740	1
6	---	1001589	2
7	X003801	1900365	2
8	---	1904135	2
9	---	1008492	2



Only left side depicted

EC00175/A

B74 708D 2013 FIXED AXLE				Plan No.
				EC00175/A
Scale: 3:10	Drafted	Verified	Confirmed	
Date	27/06/2013	27/06/2013	27/06/2013	
Initials	Lydia	JJQ	TG	