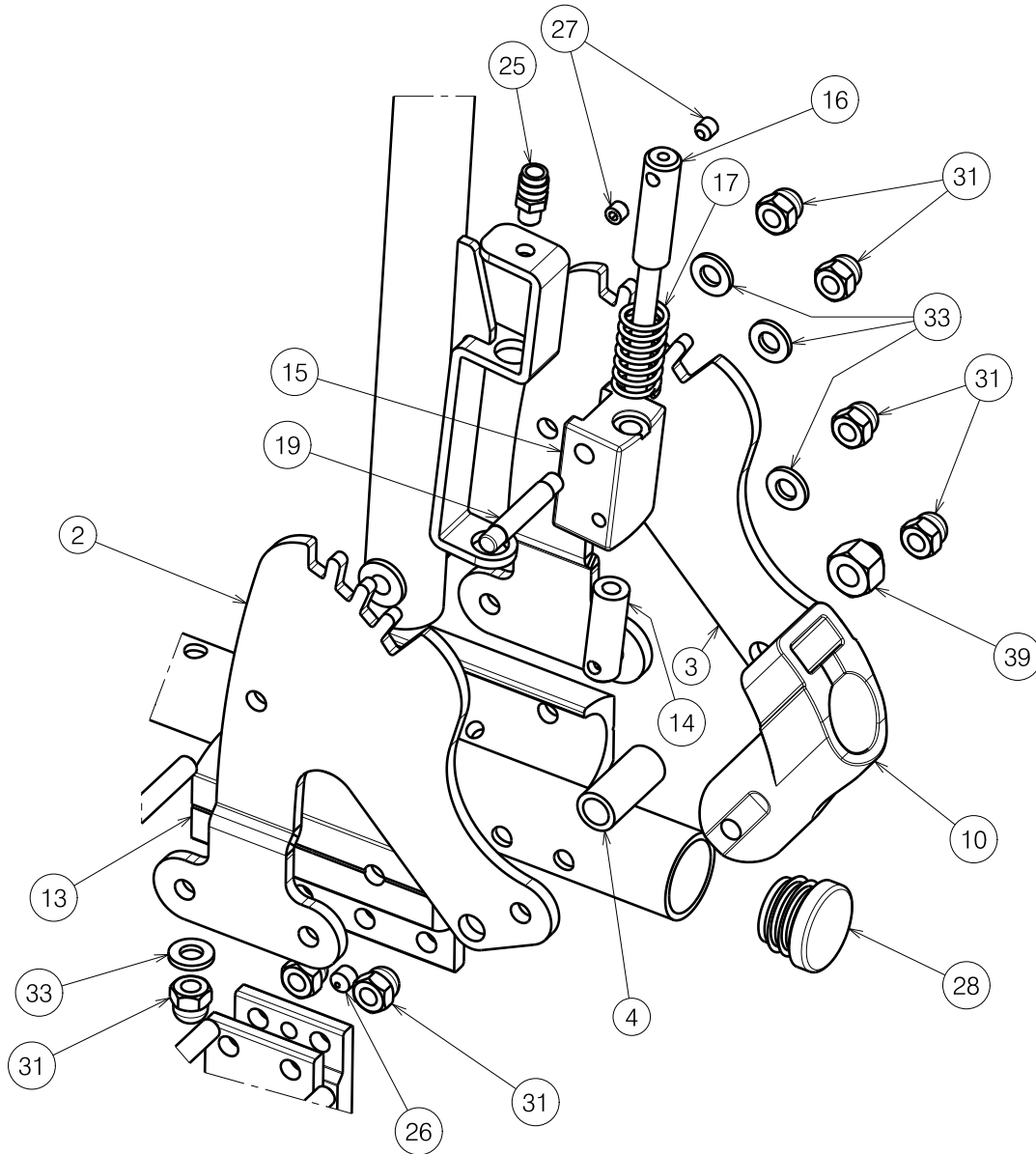


NOTICE: THE INFORMATION CONTAINED ON THIS DRAWING IS PROPRIETARY TO VERMEIREN GROUP AND SHALL NOT BE DISCLOSED IN WHOLE OR IN PART, OR USED FOR ANY DESIGN OR MANUFACTURE, EXCEPT WHEN SUCH USER POSSESSES DIRECT WRITTEN AUTHORISATION FROM VERMEIREN GROUP.

Sheet 1/3

<b>VERSO 30° SIDE FRAME B02/B03</b>				---
				Plan No.
				E00080122/A.1
Scale:	1:4	Drafted	Verified	Confirmed
Date	26/04/2024	26/04/2024	26/04/2024	26/04/2024
Initials	SD	SD	SD	SD





Detail View A (1:2)

Glue n° 17 into n° 13 with  
Weicon AN 302-43 (H900009)  
Glue n° 14 into n° 12 with  
Weicon AN 302-43 (H900009)

NOTICE: THE INFORMATION CONTAINED ON THIS DRAWING IS  
PROPRIETARY TO VERMEIREN GROUP AND SHALL NOT BE DISCLOSED IN  
WHOLE OR IN PART, OR USED FOR ANY DESIGN OR MANUFACTURE,  
EXCEPT WHEN SUCH USER POSSESSES DIRECT WRITTEN AUTHORISATION  
FROM VERMEIREN GROUP.

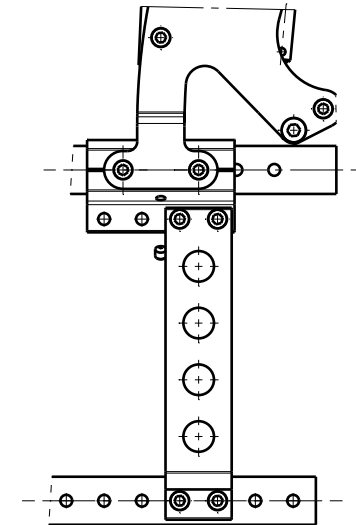
<b>VERSO 30° SIDE FRAME B02/B03</b>			
Scale: 1:2	Drafted	Verified	Confirmed
Date	26/04/2024	26/04/2024	26/04/2024
Initials	SD	SD	PJ

Plan No.  
E00080122/A.1

Material			
No.	Plan	Article	Qty
1	P00023284	26384.. (L)	1
	P00023286	26385.. (R)	1
2	P00032552	2648954	2
3	P00032553	2649054	2
4	X003204	1585100	2
5	X004308	1904129	4
6	X004309	1904133	2
7	X004415	17193	2
8	X004420	1904134	2
9	X004471	1713399	2
10	X004487	1904581	2
11	X004597	1905121	2
12	X004689	1734600	2
13	X004697	1745199	4
14	X004789	1740400	2
15	X004796	17406	2
16	X004797	1740500	2
17	X004798	1740700	2
18	X004818	1906184	2
19	X004987	1767500	2
20	Y004761	1521754 (39)	1
	Y004762	1521854 (42)	1
	Y004763	1521954 (44)	1
	Y004764	1522054 (46)	1
	Y004765	1522154 (48)	1
21	Y004766	1522254 (50)	1
	Y023779	2074754	2
22	Y023781	2074862	2

Material			
No.	Plan	Article	Qty
23	Y024006	F002907	2
24	M8x20	1001580	2
25	M6x10	1003282	2
26	M6x6 DIN914/54H	1909924	6
27	M5x5 DIN916/54H	1991323	4
28	D25	1991857	4
29	M8x25	1997388	2
30	M6x45 DIN912	2994058	6
31	M6 DIN986	2994059	24
32	M6x40 DIN912	2994317	2
33	M6 DIN125	2994414	16
34	M6x35 DIN7984	2994654	2
35	M5x50 DIN912	2995258	6
36	M6 DIN7349	2995261	2
37	Mx640 DIN7984	2995263	4
38	M8x45 DIN912	2995397	2
39	M8 DIN986	2995398	2
40	M6x25 DIN912	2996887	4
41	D4.8x22 DIN7981	3991881	4
42	---	1916497	2
42A	X005947	1916498	2
42B	---	1916909	2

Quantities are for  
one wheelchair



Assembly guideline  
for rear wheel block

NOTICE: THE INFORMATION CONTAINED ON THIS DRAWING IS  
PROPRIETARY TO VERMEIREN GROUP AND SHALL NOT BE DISCLOSED IN  
WHOLE OR IN PART, OR USED FOR ANY DESIGN OR MANUFACTURE,  
EXCEPT WHEN SUCH USER POSSESSES DIRECT WRITTEN AUTHORISATION  
FROM VERMEIREN GROUP.

Sheet 3/3

---

### VERSO 30° SIDE FRAME B02/B03

Plan No.

E00080122/A.1

Scale:	1:4	Drafted	Verified	Confirmed
Date	26/04/2024	26/04/2024	26/04/2024	
Initials	SD	SD	PJ	

