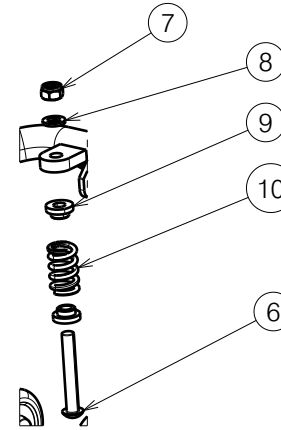


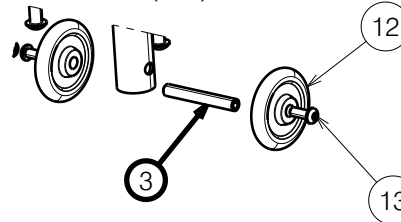
No.	Plan	Article	Qty
1	P00052643	2673665	1
2	P00061749	26770B8 26770A9 26770B2 26770A7 26770D5 2677021	1
3	P00053714	GP29100	3
4	M6X12 ISO7380	3992768	2
5	Washer PA6 M8 DIN125	2994415	4
6	M8X55 ISO 7380	1919452	2
7	Nut M8	1996213	2
8	WASHER M8 DIN125B	2994914	2
9	XP00146	1818700	4
10	P00054176	GP29026	2
11	---	---	=
12	X004747	1906057	4
13	M6X16 ISO7380	2994067	4
14	Cap D25.4	1991857	2
15	P00061890	2997984	1

Compress spring to dimension shown on the section A-A Sheet 2

C (1:5)



B (1:5)

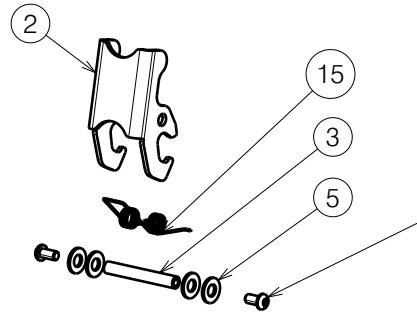


6 Nm

Use:

WEICONLOCK AN 302-43

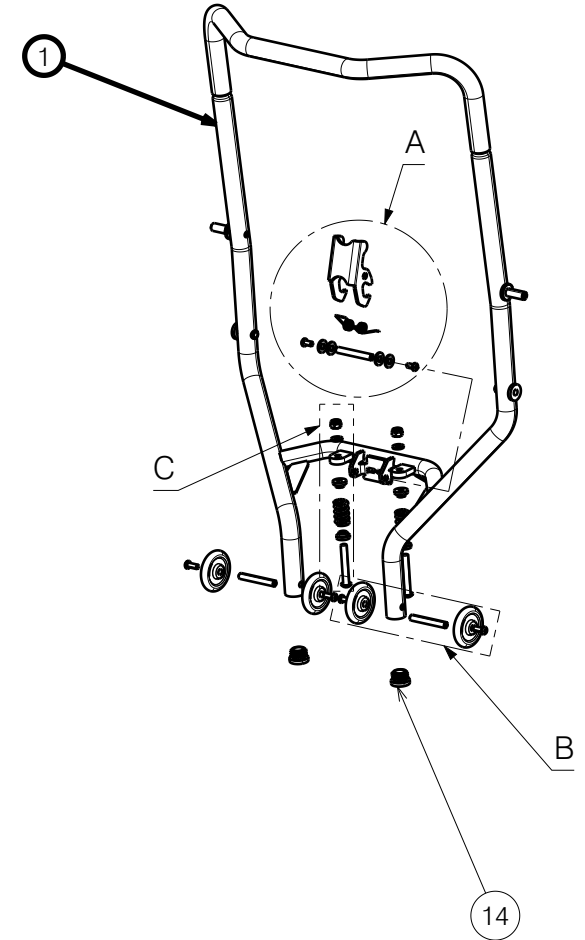
A (1:5)



6 Nm

Use:

WEICONLOCK AN 302-43



NOTICE: THE INFORMATION CONTAINED ON THIS DRAWING IS PROPRIETARY TO VERMEIREN GROUP AND SHALL NOT BE DISCLOSED IN WHOLE OR IN PART, OR USED FOR ANY DESIGN OR MANUFACTURE, EXCEPT WHEN SUCH USER POSSESSES DIRECT WRITTEN AUTHORISATION FROM VERMEIREN GROUP.

Sheet 1/2

2997976

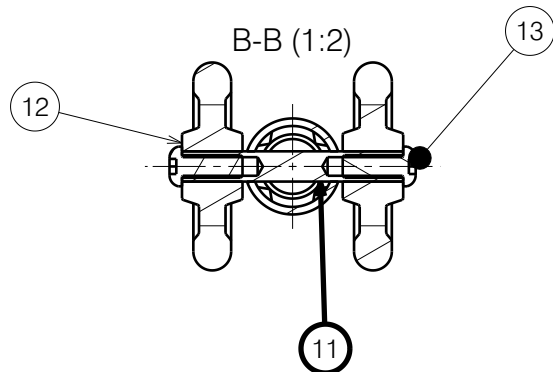
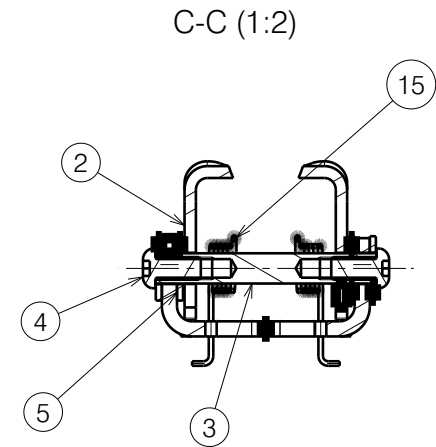
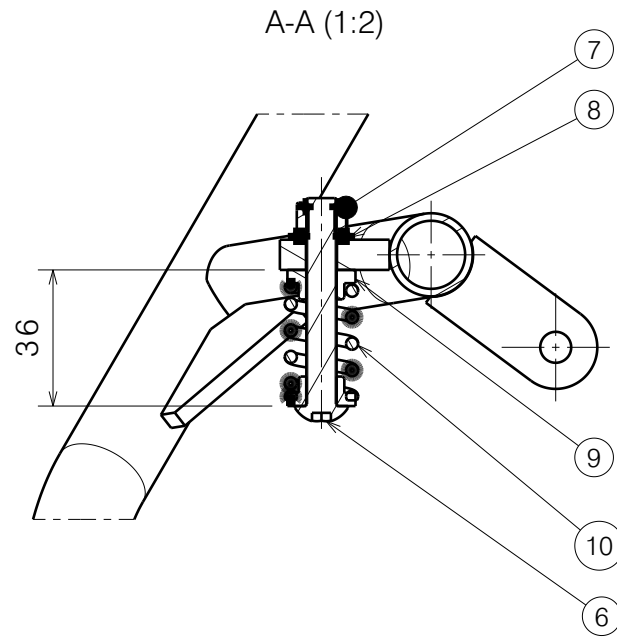
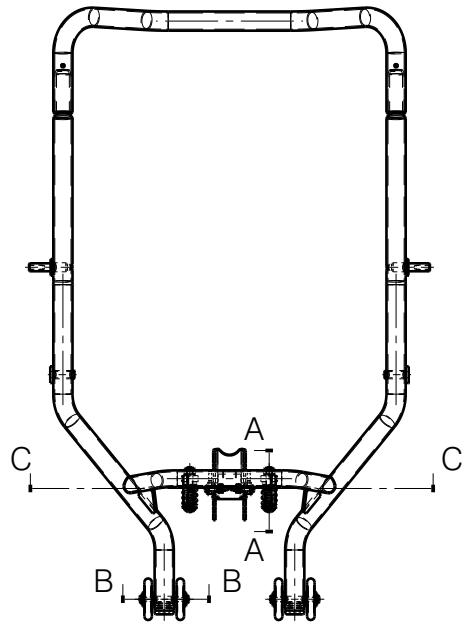
PLEGO BACKREST FRAME

Plan No.

E00062353/D.1

Scale: 1:10	Drafted	Verified	Confirmed
Date	29/06/2023	02/02/2024	05/02/2024
Initials	BK	WM	WM





NOTICE: THE INFORMATION CONTAINED ON THIS DRAWING IS PROPRIETARY TO VERMEIREN GROUP AND SHALL NOT BE DISCLOSED IN WHOLE OR IN PART, OR USED FOR ANY DESIGN OR MANUFACTURE, EXCEPT WHEN SUCH USER POSSESSES DIRECT WRITTEN AUTHORISATION FROM VERMEIREN GROUP.

Sheet 2/2

2997976

PLEGO BACKREST FRAME

Plan No.

E00062353/D.1

Scale: 1:20	Drafted	Verified	Confirmed
Date	29/06/2023	02/02/2024	02/02/2024
Initials	BK	BK	WM

